

## 产品介绍 Product Introduction



### ZB-B系列标准熔体泵:

ZB-B系列标准熔体泵主要用于挤出机或中高粘度聚合物的增压和稳定流量输送。加热方式主要为电加热。适用于PS, PP, PET, PVC, PC, PMMA, PA, ABS, PE-LLD等工艺中。

### ZB-B Series Standard Melt Pump:

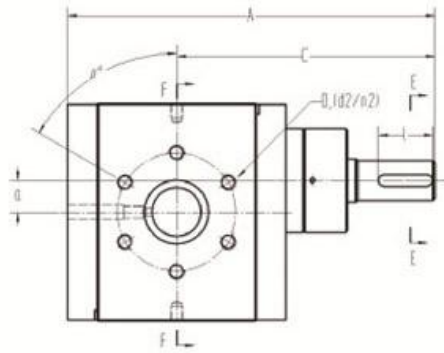
ZB-B series standard melt pump is mainly used for extruder or pressurization, stabilizing flow and transportation of medium or high viscosity polymer. This series of melt pump adopts electrical heating, and applies to PS, PP, PET, PVC, PC, PMMA, PA, ABS, PE-LLD, etc.

### 技术参数

泵体: 高温工具钢, 铬镍合金钢  
齿轮: 高温工具钢, 渗氮钢  
齿形: 为直齿, 斜齿或人字齿  
滑动轴承: 高温工具钢  
轴封: 螺旋密封, 填料密封, 螺旋+填料密封, 其他组合密封  
加热系统: 电加热棒加热  
规格/流量范围: 0.5CC - 3200CC

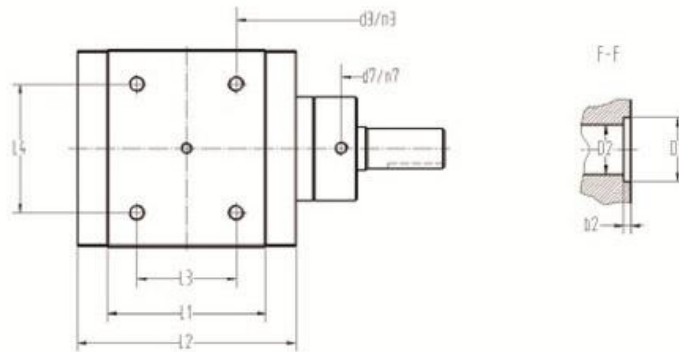
### Technical Parameter

Material for Melt Pump Body: High Temperature Tool Steel or Chromium-nickel Steel  
Material for Gear: High Temperature Tool Steel or Nitrided Steel  
Gear tooth types: Straight tooth, Helical or Herringbone  
Material for Sliding Bearing: High Temperature Tool Steel  
Shaft Sealing: Spiral Sealing, Packing Sealing, Spiral sealing and Packing sealing or other Combined Sealing  
Heating System: Electrical Rod Heating  
Model/Volume Range: 0.5CC - 3200CC

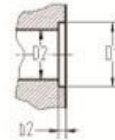


### 操作参数

粘度:  $\leq 40000$  Pa.s  
 温度:  $\leq 400^{\circ}\text{C}$  (750°F)  
 清洗温度:  $\leq 450^{\circ}\text{C}$  (850°F)  
 出口压力:  $\leq 40\text{Mpa}$  (6,000psi)



F-F



### Operating Parameter

Viscosity:  $\leq 40000$  Pa.s  
 Working Temperature:  $\leq 400^{\circ}\text{C}$  (750° F)  
 Cleaning Temperature:  $\leq 450^{\circ}\text{C}$  (850° F)  
 Outlet Pressure:  $\leq 40\text{MPa}$  (6000psi)

